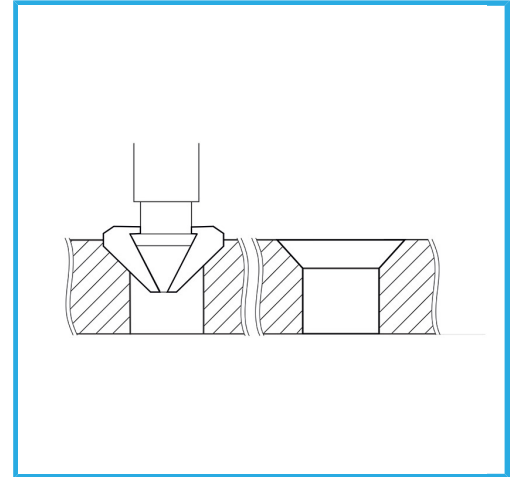


TO PERFORM CONICAL COUNTERSINKS WITHOUT VIBRATIONS.



<b>∅</b>	6,3 mm
<b>Total length</b>	31 mm
<b>Shank dimensions</b>	1/4" HEX x 25 mm
<b>Gross weight</b>	0,01 kg
<b>EAN Code</b>	8012667311551



Box



90°

HSS  
M2

-