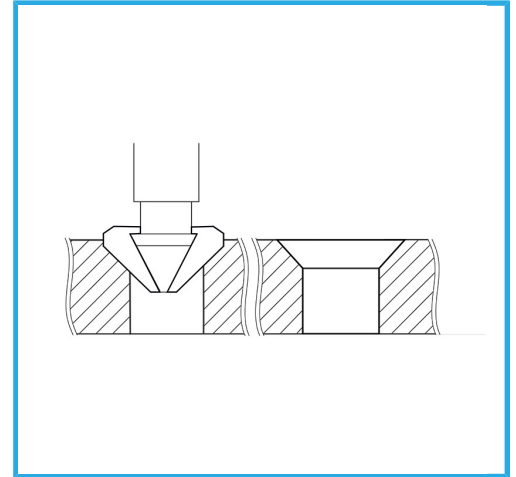


TO PERFORM CONICAL COUNTERSINKS WITHOUT VIBRATIONS. WITH HANDLE AND MAGNETIC EXTENSION.



| | |
|-------------------------|--|
| Sizes | 6,3 - 8,3 - 10,4 - 12,4 - 16,5 - 20,5 mm |
| Shank dimensions | 1/4" HEX x 25 mm |
| Gross weight | 0,43 kg |
| EAN Code | 8012667311872 |



Hangable



90°



8 Pcs



HSS
M2