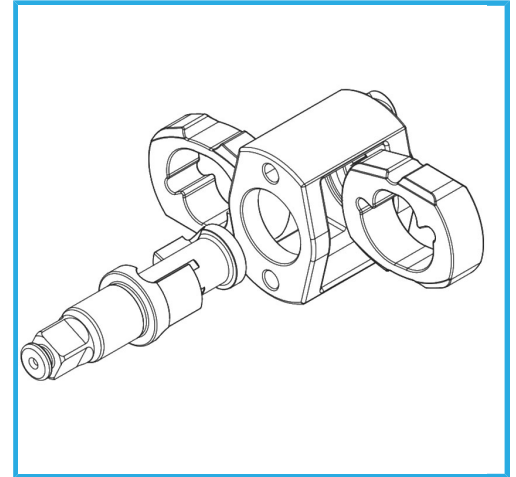
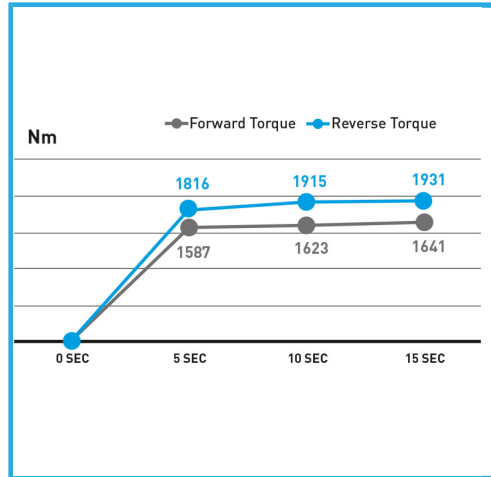


PROFESSIONAL SERIES. IN COMPOSITE MATERIAL, HANDLE AND HEAD IN SHOCKPROOF RUBBER. OPERATING LEVER, CHANGE OF ROTATION AND SPEED..



Speed	7300 rpm
Torque	1085 Nm 800 lb-ft
Avg air cons.	153 l/min 5.4 SCFM
Working pressure	6 bar 90 psi
Air inlet	1/4"
Net weight	2 kg
Gross weight	2,22 kg
EAN Code	8012667346294



Box



1/2"