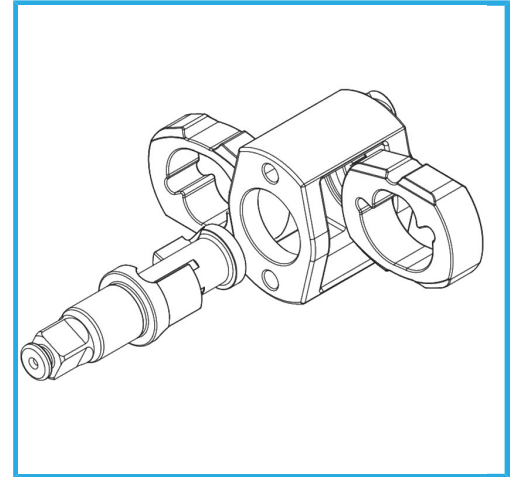
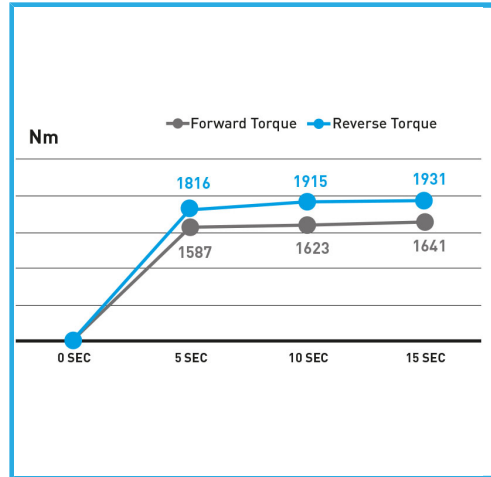


WITH 150MM ANVIL PROFESSIONAL SERIES. IN COMPOSITE MATERIAL, HANDLE AND HEAD IN SHOCKPROOF RUBBER. OPERATING LEVER, CHANGE OF ...



<b>Speed</b>	5300 rpm
<b>Torque</b>	1900 Nm   1400 lb-ft
<b>Avg air cons.</b>	224 l/min   8.1 SCFM
<b>Working pressure</b>	6 bar   90 psi
<b>Air inlet</b>	3/8"
<b>Net weight</b>	4 kg
<b>Gross weight</b>	3,30 kg
<b>EAN Code</b>	8012667346331



Box



3/4"