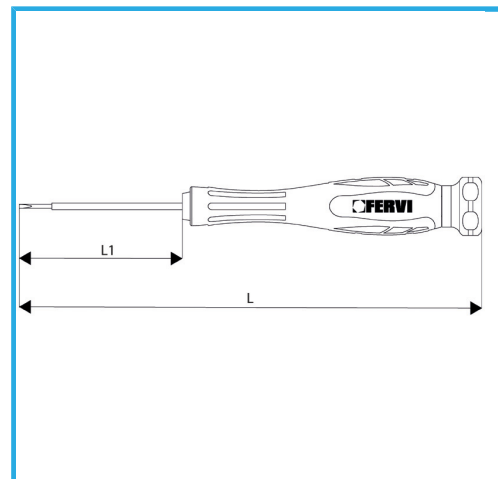


WITH BURNISHED MAGNETIC TIP, HANDLE IN TWO-COMPONENT MATERIAL WITH FREE END PART TO ROTATE FOR A PERFECT GRIP.



<b>Size</b>	1,8 mm
<b>Pole length</b>	50 mm
<b>Total length</b>	140 mm
<b>Gross weight</b>	0,01 kg
<b>Packaging dimensions</b>	19x19x142h
<b>EAN Code</b>	8012667348984



Phosphated



-



Cr-V

-