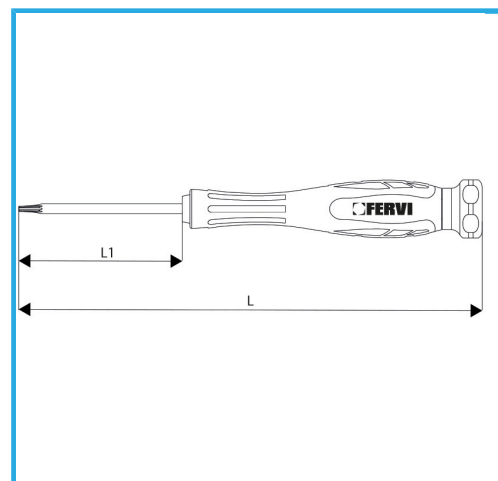


WITH BURNISHED MAGNETIC TIP, HANDLE IN TWO-COMPONENT MATERIAL WITH FREE END PART TO ROTATE FOR A PERFECT GRIP.



| | |
|-----------------------------|---------------|
| Size | T9 mm |
| Pole length | 50 mm |
| Total length | 140 mm |
| Packaging dimensions | 19x19x142h |
| Gross weight | 0,02 kg |
| EAN Code | 8012667349110 |



Cr-V



Phosphated