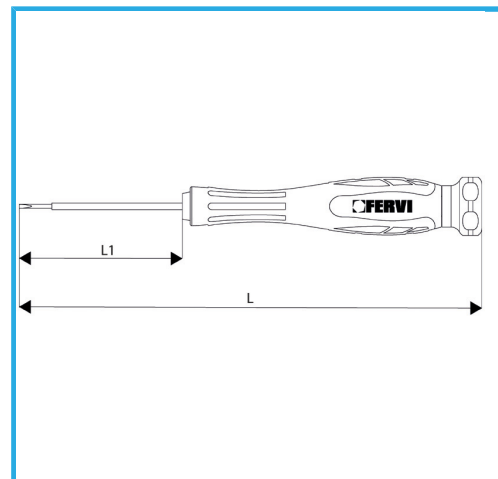


WITH BURNISHED MAGNETIC TIP, HANDLE IN TWO-COMPONENT MATERIAL WITH FREE END PART TO ROTATE FOR A PERFECT GRIP.



| | |
|-----------------------------|---------------|
| Size | 2,4 mm |
| Pole length | 50 mm |
| Total length | 140 mm |
| Gross weight | 0,02 kg |
| Packaging dimensions | 19x19x143h |
| EAN Code | 8012667349004 |



Phosphated



-