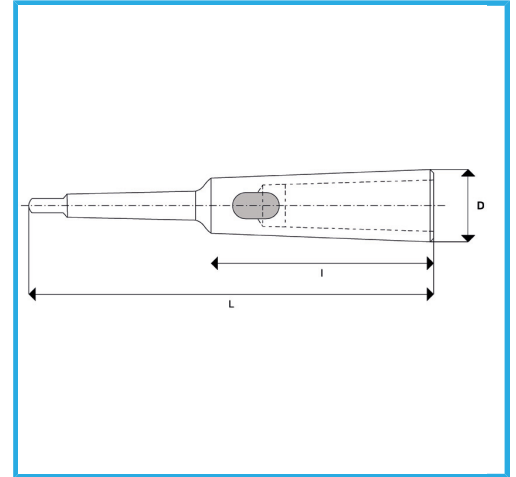


FOR MOUNTING TOOLS WITH TAPERED SHANK VICES.



MT External	2
MT Internal	2
L	175 mm
I	90 mm
D	30 mm
Gross weight	0,51 kg
EAN Code	8012667349592



Box



Tempered



Steel



Grounded