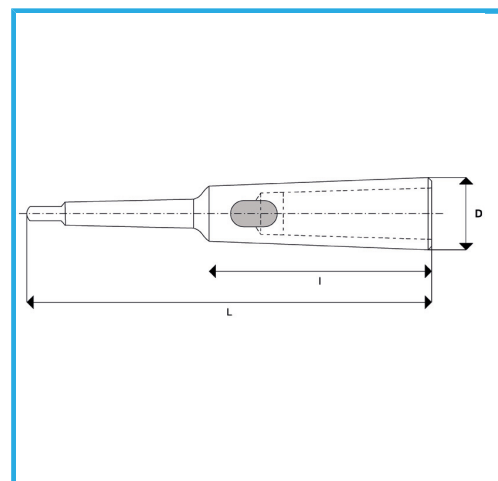


FOR MOUNTING TOOLS WITH TAPERED SHANK VICES.



MT External	5
MT Internal	4
L	300 mm
I	150,5 mm
D	48 mm
Gross weight	2,77 kg
EAN Code	8012667349738



Box



Tempered



Steel



Grounded