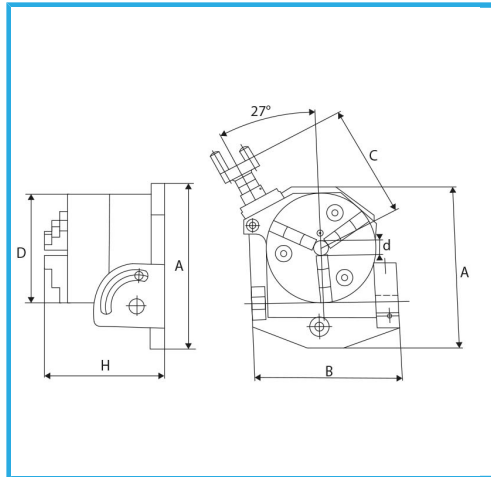


FOR PRECISE POSITIONING OF BOTH ROTATION AND INCLINATION  
 THANKS TO THE GRADUATIONS ON THE HANDWHEEL AND ON TILT  
 LOCKING LEVER....



<b>Chuck sizes</b>	100 mm
<b>A</b>	143 mm
<b>B</b>	130 mm
<b>C</b>	105 mm
<b>D</b>	100 mm
<b>d</b>	20 mm
<b>H</b>	160 mm
<b>Revolution</b>	360°
<b>Tilting table</b>	90°
<b>Ratio</b>	1:36
<b>Slots</b>	4 x 8 mm N° / mm
<b>Horizontal height</b>	102 mm
<b>Net weight</b>	11 kg
<b>Gross weight</b>	11,72 kg
<b>EAN Code</b>	8012667349769



Box