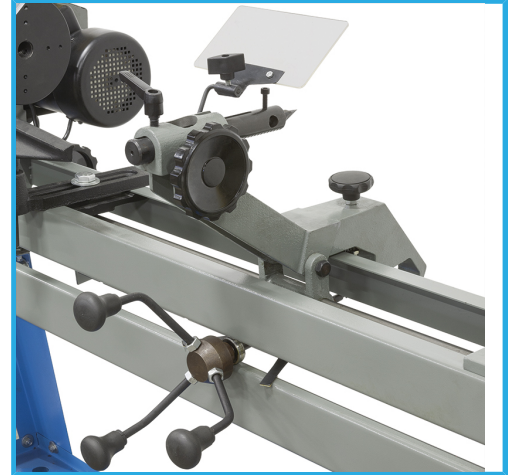
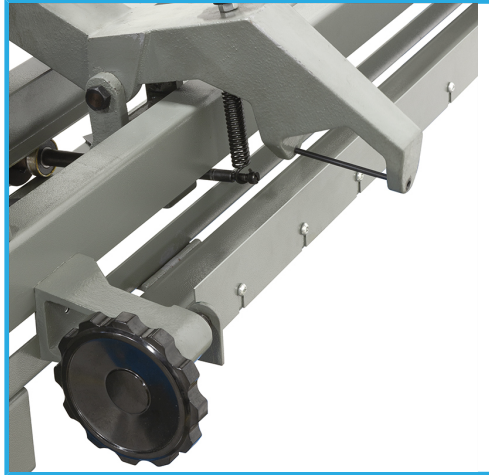


WITH LEVER TO ADJUST THE SPEED AND PROCESSING AREA
PROTECTED WITH INTERLOCKED MOBILE PLEXIGLASS GUARD.



Max length of workpiece	1000 mm
Centers height	175 mm
Maximum turning diameter	350 mm
Thread	1" - 8 TPI
Tailstock	2
Motor	230 V 50 Hz 0,75 kW
Spindle speed	500 - 2000 rpm
Dimensions	1400 x 500 x 1300h mm
Net weight	68 kg
Packaging dimensions	1470x400x450 h mm
Gross weight	71,00 kg
EAN Code	8012667362201

Included

Live center MT 2
Headstock spur drive center MT 2
Backing pad Ø 150 mm
Ejector
Service keys