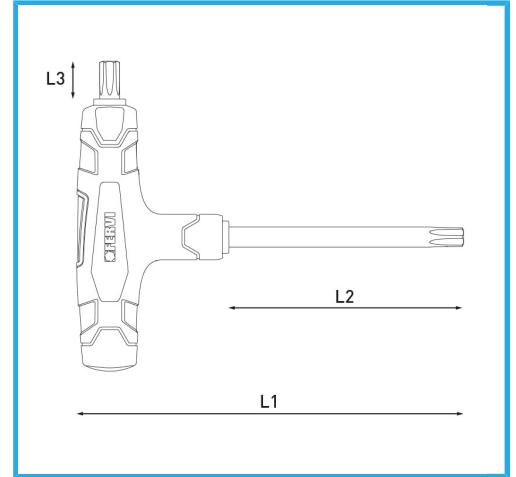


ART. C855/T50
TWO WAY TORX KEY WITH PLASTIC HANDLE



Size	T50
L1	170 mm
L2	105 mm
L3	15 mm
Gross weight	0,17 kg
EAN Code	8012667362393



Hangable



Phosphated



-



Cr-V

-