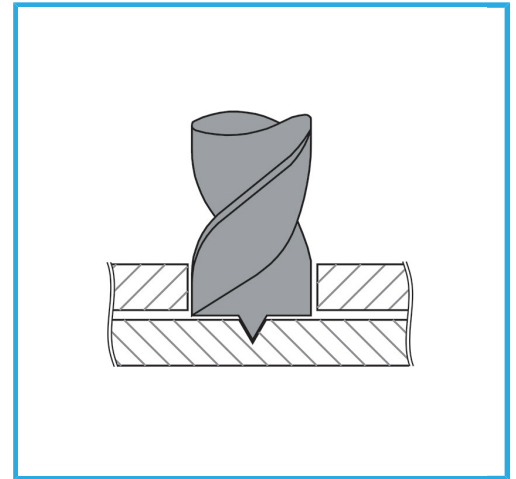


TO REMOVE WELDING SPOTS AND TO DRILL METAL SHEETS IN GENERAL.



∅	6 mm
Total length	66 mm
Gross weight	0,02 kg
EAN Code	8012667358488



Hangable



1897/N

HSS
CO 5%

-