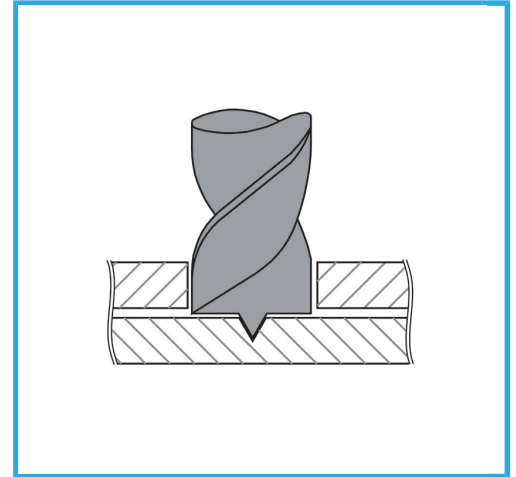


TO REMOVE WELDING SPOTS AND TO DRILL METAL SHEETS IN GENERAL.



∅	7 mm
Total length	74 mm
Gross weight	0,02 kg
Packaging dimensions	17x17x85 h mm
EAN Code	8012667358495



Hangable



1897/N

HSS
CO 5%

-