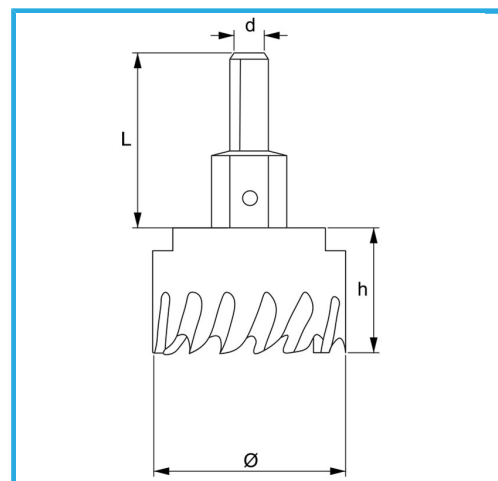


FOR DRILLING MEDIUM AND LARGE HOLES IN THE WALL.



Ø	16 mm
d	10 mm
Thread	M12 x 1.25
Z	2
L	46 mm
Boring bit	Ø6 x 69 mm
Gross weight	0,11 kg
EAN Code	8012667352578



Hangable

HSS

HM

-