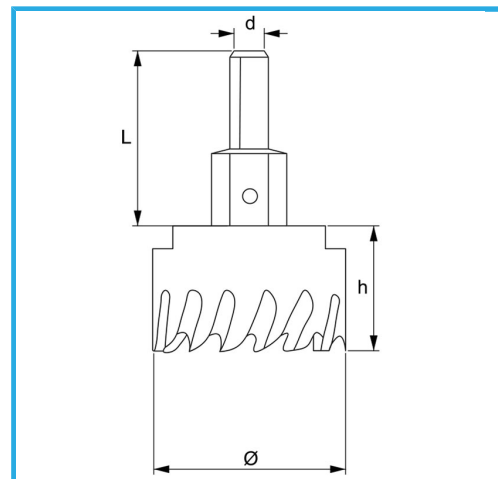


FOR DRILLING MEDIUM AND LARGE HOLES IN THE WALL.



Ø	55 mm
d	12 mm
Thread	M16 x 1.5
Z	6
L	46 mm
Boring bit	Ø8 x 69 mm
Gross weight	0,32 kg
EAN Code	8012667352677



Hangable

HSS

HM