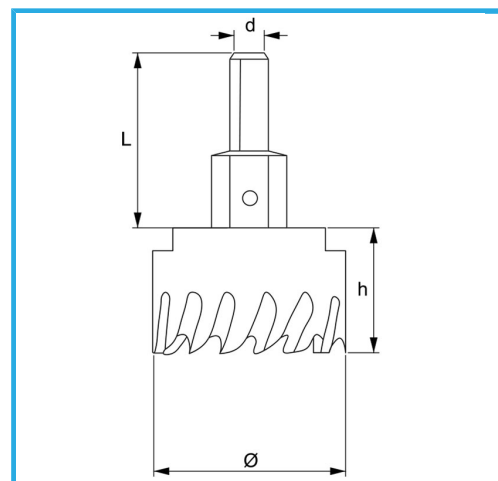


FOR DRILLING MEDIUM AND LARGE HOLES IN THE WALL.



Ø	50 mm
d	10 mm
Thread	M12 x 1.25
Z	6
L	46 mm
Boring bit	Ø6 x 69 mm
Gross weight	0,27 kg
EAN Code	8012667352660



Hangable

HSS -

HM -