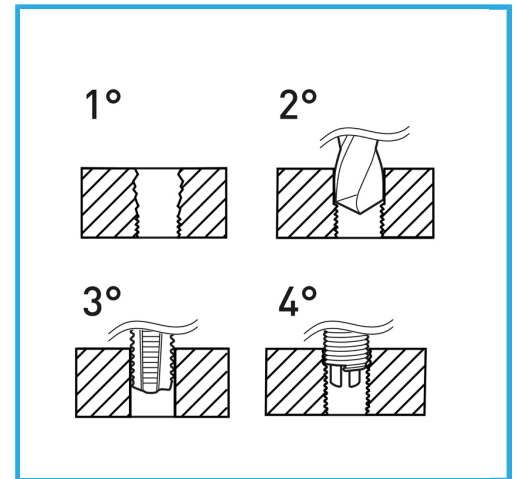


SUITABLE FOR THREAD REGENERATION OR TO OBTAIN VERY RESISTANT TAPPING IN SOFT MATERIALS.



Thread	9/16" x 12
Drills	-
STI Taps	E011/UNC9/16M
Inserting tool	E011/U16
Tang break tool	-
Wire-thread inserts	E010/UNC9/16E15
Inserts quantity	10
Packaging dimensions	170x130x40 h mm
Gross weight	0,61 kg
EAN Code	8012667368463



Hangable

HSS



INOX