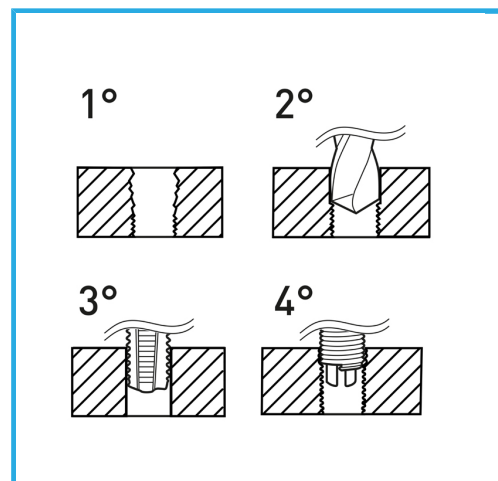


SUITABLE FOR THREAD REGENERATION OR TO OBTAIN VERY RESISTANT TAPPING IN SOFT MATERIALS.



<b>Thread</b>	No. 10 x 32
<b>Drills</b>	Ø 5.1 mm
<b>STI Taps</b>	E011/UNFN10M
<b>Inserting tool</b>	E011/U08
<b>Tang break tool</b>	E011/A08
<b>Wire-thread inserts</b>	E010/UNFN10E15
<b>Inserts quantity</b>	20
<b>Gross weight</b>	0,39 kg
<b>EAN Code</b>	8012667365196



Hangable

HSS

INOX