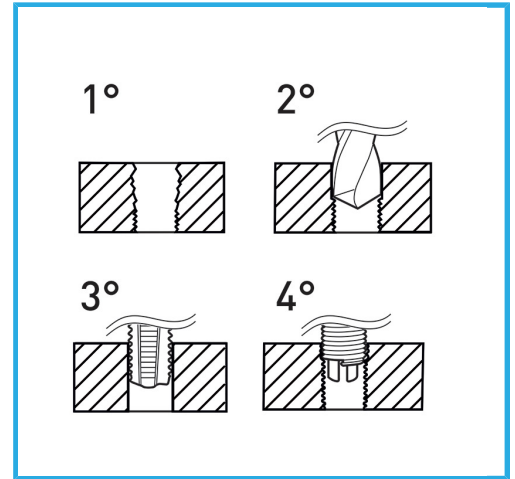


SUITABLE FOR THREAD REGENERATION OR TO OBTAIN VERY RESISTANT TAPPING IN SOFT MATERIALS.



Dimensions	M 14 x 1.25
Boring bit	-
STI Taps	E011/M140X125M
Inserting tool	E011/U16
Tang break tool	-
Inserts quantity	10
Gross weight	0,58 kg
EAN Code	8012667368784



Hangable

HSS



INOX