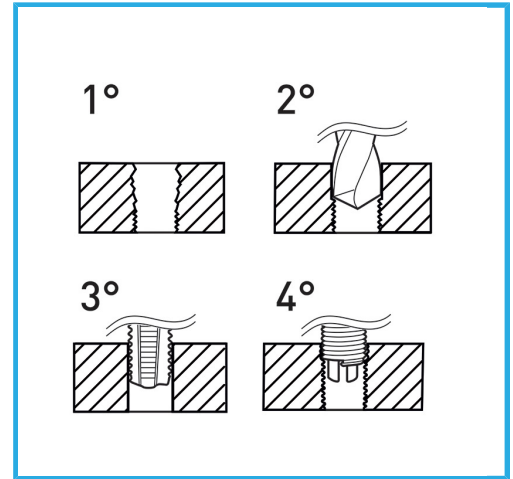


SUITABLE FOR THREAD REGENERATION OR TO OBTAIN VERY RESISTANT TAPPING IN SOFT MATERIALS.



<b>Thread</b>	1" x 8
<b>Boring bit</b>	-
<b>STI Taps</b>	E011/BSW1M
<b>Inserting tool</b>	E011/U23
<b>Tang break tool</b>	-
<b>Wire-thread inserts</b>	E010/BSW1E15
<b>Inserts quantity</b>	4
<b>Gross weight</b>	1,19 kg
<b>EAN Code</b>	8012667364533



Hangable

HSS



INOX