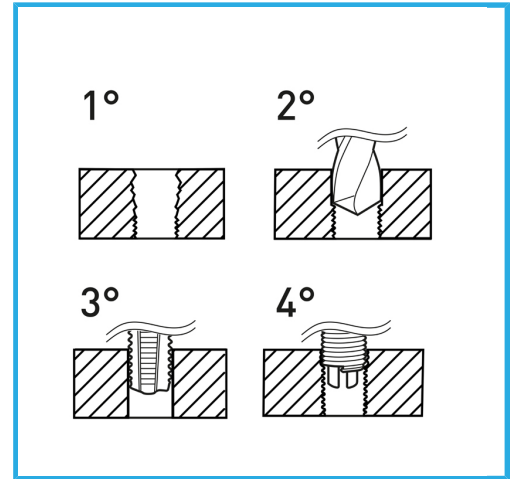


SUITABLE FOR THREAD REGENERATION OR TO OBTAIN VERY RESISTANT TAPPING IN SOFT MATERIALS.



Sizes	UNF 1/4" - 1/2"
STI Taps	1/4"x28-5/16"x24-3/8"x24-7/16"x20-1/2"x20
Drills	6.7 mm - 8.3 mm - 9.8 mm - 11.5 mm - 13.0 mm
Wire-thread inserts	1/4"=25 5/16"=25 3/8"=25 7/16"=10 - 1/2"=10
Inserting tool	5 Pcs
Tang break tool	5 Pcs
Gross weight	2,62 kg
EAN Code	8012667364663



Carrying case



HSS

-



INOX

-



115 Pcs