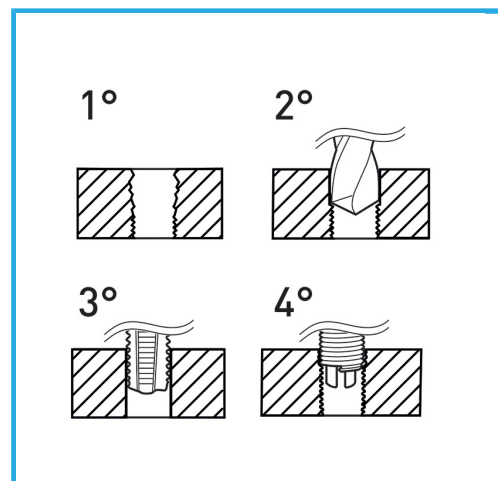


SUITABLE FOR THREAD REGENERATION OR TO OBTAIN VERY RESISTANT TAPPING IN SOFT MATERIALS.



| | |
|-------------------------|----------------|
| Dimensions | M 3 x 0.5 |
| Boring bit | Ø 3.2 mm |
| STI Taps | E011/M030X050M |
| Inserting tool | E011/U04 |
| Tang break tool | E011/A04 |
| Inserts quantity | 20 |
| Gross weight | 0,35 kg |
| EAN Code | 8012667366230 |



Hangable

HSS



INOX