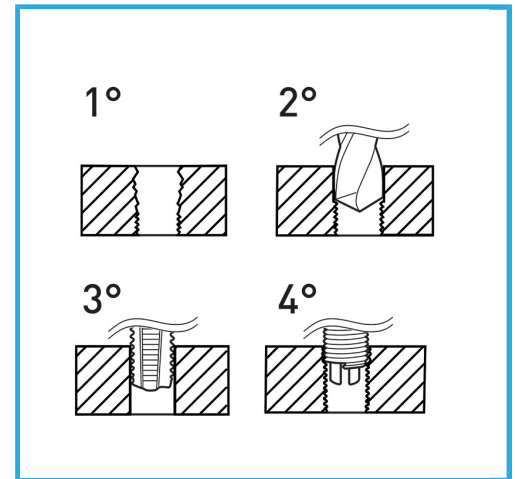


SUITABLE FOR THREAD REGENERATION OR TO OBTAIN VERY RESISTANT TAPPING IN SOFT MATERIALS. 14MM SIZE SPECIFIC FOR CAR SPARK PLUGS.



Sizes	M6 - M14 mm
STI Taps	M6 x 1.0 - M8 x 1.25 - M10 x 1.5 - M12 x 1.75 - M14 x 1.25
Drills	6.3 mm - 8.3 mm - 10.4 mm - 12.4 mm
Wire-thread inserts	M6 25 Pcs - M8 25 Pcs - M10 25 Pcs - M12 10 Pcs - M14 10 Pcs
Inserting tool	5 Pcs
Tang break tool	4 Pcs
Gross weight	2,63 kg
EAN Code	8012667366018



Carrying case



HSS

-



INOX

-



113 Pcs