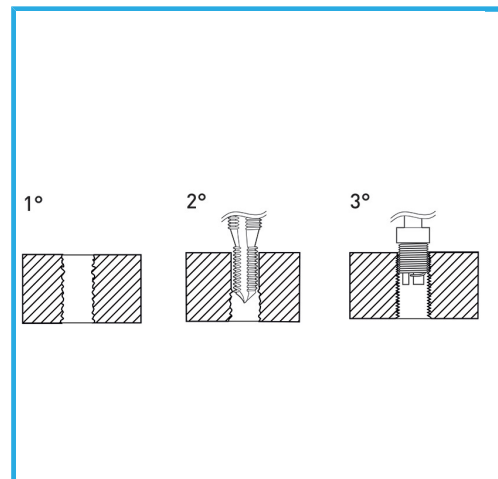
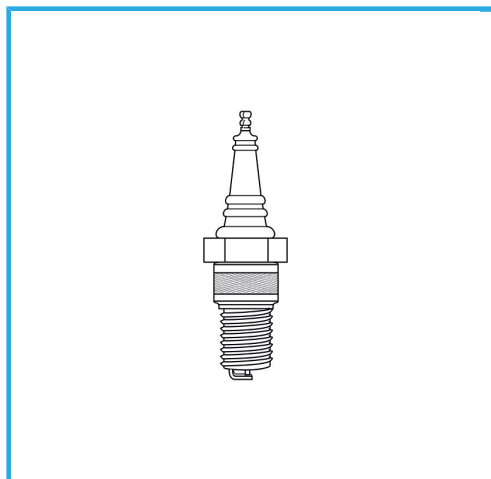


SPECIFIC FOR REPAIRS OR REINFORCEMENT OF SPARK PLUG SEATS.



|                     |                |
|---------------------|----------------|
| Size                | M 6 x 1.0      |
| Inserting tool      | E011/U09       |
| STI Taps            | E011/M060X100M |
| Wire-thread inserts | 10             |
| EAN Code            | 8012667366483  |
| Gross weight        | -              |



Hangable

HSS



INOX