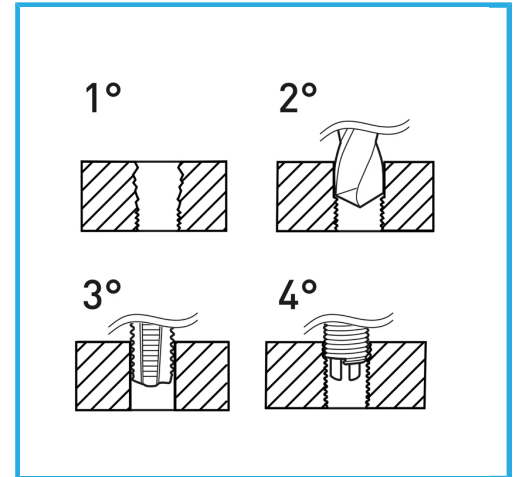


SUITABLE FOR THREAD REGENERATION OR TO OBTAIN VERY RESISTANT TAPPING IN SOFT MATERIALS.



Thread	1/2" x 20
Drills	Ø 13.0 mm
STI Taps	E011/UNF1/2M
Inserting tool	E011/U15
Tang break tool	E011/A15
Wire-thread inserts	E010/UNF1/2E15
Inserts quantity	10
Packaging dimensions	170x130x40 h mm
Gross weight	0,67 kg
EAN Code	8012667367978



Hangable

HSS



INOX