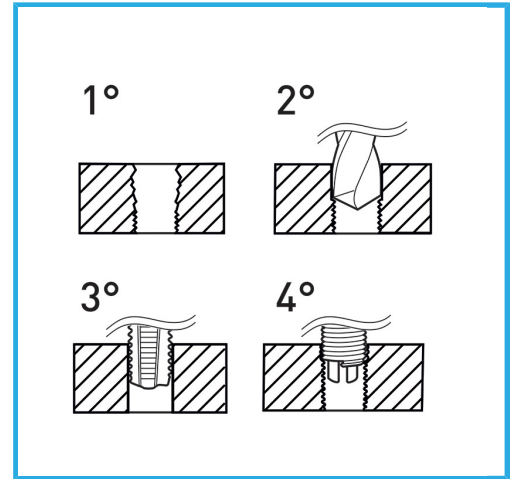


ART. E011/BSF
1/4-1/2 BSF THREAD REPAIR F-COIL SET



SUITABLE FOR THREAD REGENERATION OR TO OBTAIN VERY RESISTANT TAPPING IN SOFT MATERIALS.



Sizes	BSF 1/4" - 1/2"
STI Taps	1/4"x26-5/16"x22-3/8"x20-7/16"x18-1/2"x16
Drills	6.6 mm - 8.3 mm - 9.9 mm - 11.5 mm - 13.0 mm
Wire-thread inserts	1/4"=25 5/16"=25 3/8"=25 7/16"=10 - 1/2"=10
Inserting tool	5 Pcs
Tang break tool	5 Pcs
Gross weight	2,58 kg
EAN Code	8012667367060



Carrying
case



HSS

-



INOX

-



115 Pcs