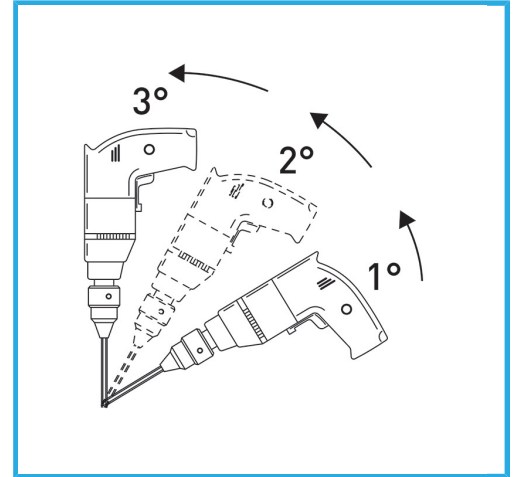
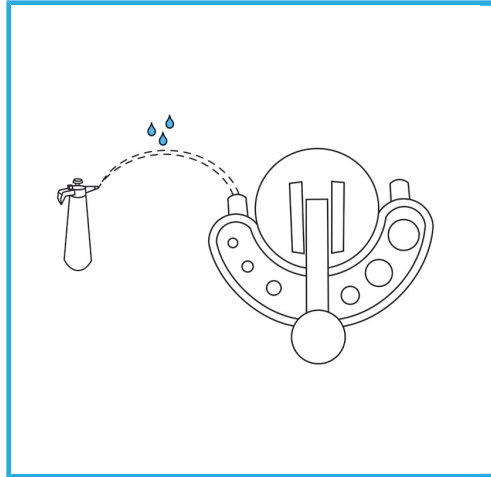


ART. P031/03S
DIAMOND DRILL BIT AND CORE DRILL WITH CONTINUOUS EDGE SET



THE THIN-WALL DIAMOND CORE GUARANTEES BURR-FREE CUTS. THIS FEATURE FACILITATES DRILLING WORK ON HARD LAID TILES, WHERE IT IS...



Sizes	Ø 6 mm - 8 mm - 10 mm
Hex drive	9.5 mm
Total length	56 mm
Diamond height	2 mm
Grit	50/60
Gross weight	0,09 kg
EAN Code	8012667355326



Hangable



3 Pcs