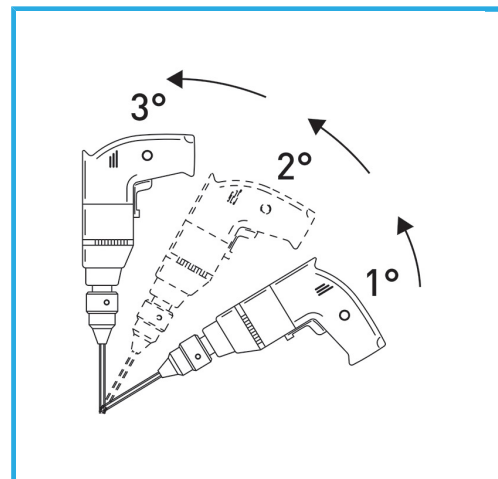
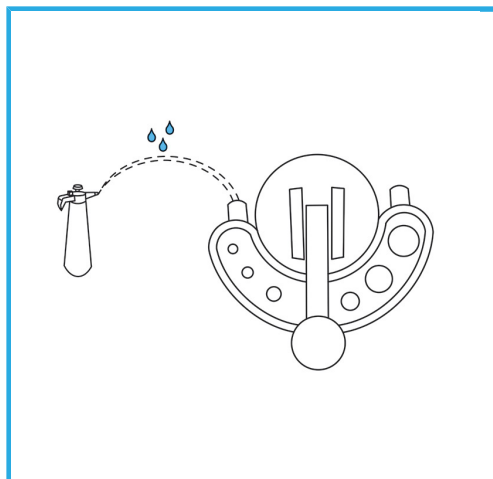


**ART. P031/05S**  
**DIAMOND DRILL BIT AND CORE DRILL WITH CONTINUOUS EDGE SET**



THE THIN-WALL DIAMOND CORE GUARANTEES BURR-FREE CUTS. THIS FEATURE FACILITATES DRILLING WORK ON HARD LAID TILES, WHERE IT IS...



<b>Sizes</b>	Ø 5 mm - 6 mm - 8 mm - 10 mm - 12 mm
<b>Hex drive</b>	8.5 mm
<b>Total length</b>	56 mm
<b>Diamond height</b>	2 mm
<b>Grit</b>	50/60
<b>Gross weight</b>	0,12 kg
<b>EAN Code</b>	8012667355333



Hangable



5 Pcs