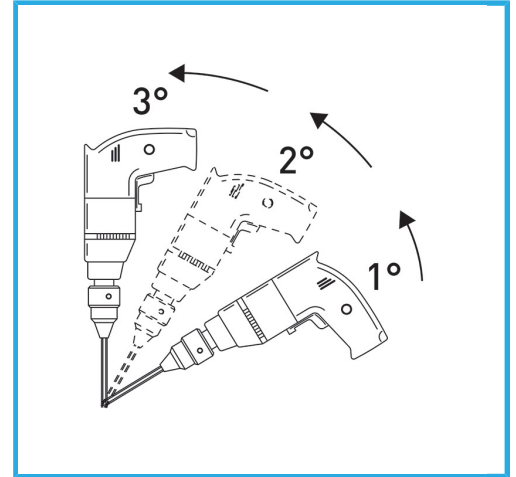
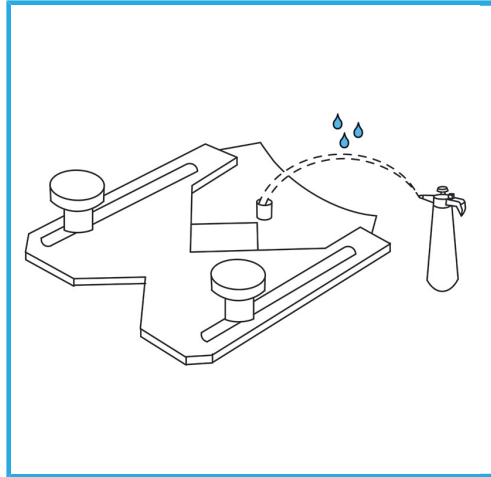


ART. P031/06S
DIAMOND DRILL BIT AND CORE DRILL WITH CONTINUOUS EDGE SET



THE THIN-WALL DIAMOND CORE GUARANTEES BURR-FREE CUTS. THIS FEATURE FACILITATES DRILLING WORK ON HARD LAID TILES, WHERE IT IS...



Sizes	Ø 16 mm - 22 mm - 25 mm - 28 mm - 30 mm - 35 mm
Hex drive	11 mm
Total length	90 mm
Diamond height	5 mm
Grit	50/60
Gross weight	0,99 kg
EAN Code	8012667355340



6 Pcs



Carrying case