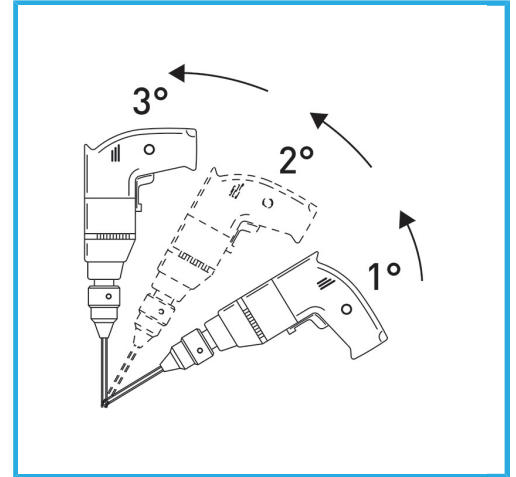
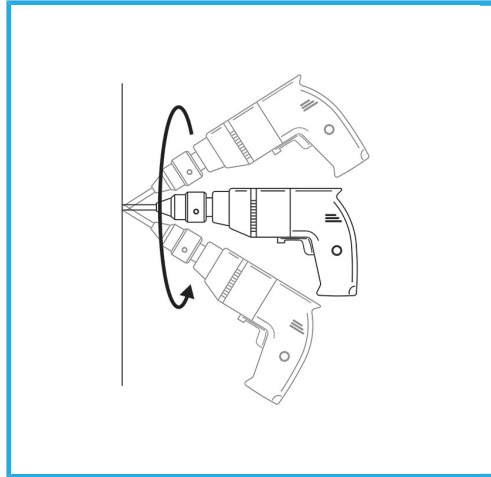


ART. P034/05S

M14 DIAMOND DRILL BIT AND CORE DRILL WITH CONTINUOUS EDGE SET



THE THIN-WALL DIAMOND CORE GUARANTEES BURR-FREE CUTS. THIS FEATURE FACILITATES DRILLING WORK ON HARD LAID TILES, WHERE IT IS...



Sizes	Ø 6 mm - 8 mm -10 mm-12 mm - 14 mm
Total length	62 mm
Diamond height	10 mm
Grit	30/50
Gross weight	0,60 kg
EAN Code	8012667355616



Carrying case



M14



5 Pcs