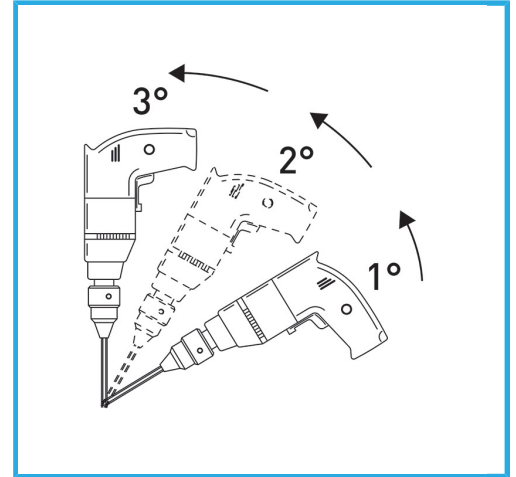
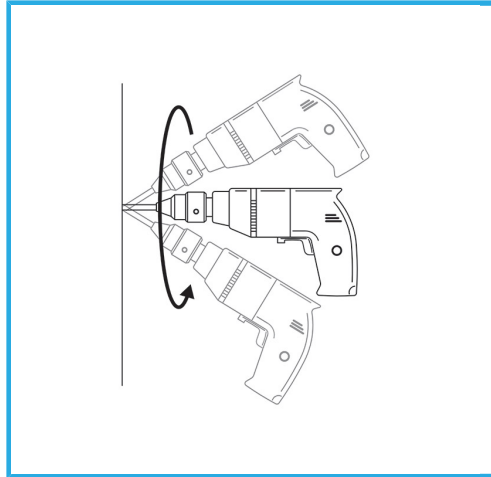


ART. P033/03S
DIAMOND DRILL BIT AND CORE DRILL WITH CONTINUOUS EDGE SET



OPTIMAL OPERATION ON VERTICAL WALLS, DO NOT REMOVE THE CORE, WHICH ACTS AS A MEASURING CAP FOR THE COOLANT. USE WITH WATER...



Sizes	Ø 6 mm - 8 mm - 10 mm
Hex drive	9.5 mm
Total length	80 mm
Diamond height	10 mm
Grit	40
Packaging dimensions	70 x 140 x 70 h mm
Gross weight	0,11 kg
EAN Code	8012667355944



Hangable



3 Pcs