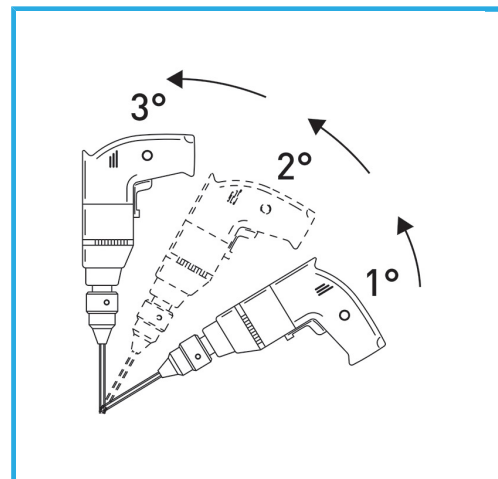
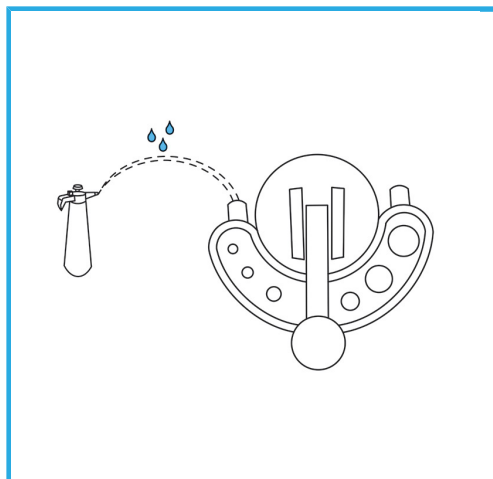


THE THIN-WALL DIAMOND CORE GUARANTEES BURR-FREE CUTS.
THIS FEATURE FACILITATES DRILLING WORK ON HARD LAID TILES,
WHERE IT IS...



Sizes	Ø 5 mm - 6 mm - 8 mm - 10 mm
Shank	Ø 6 mm
Total length	65 mm
Diamond height	5 mm
Grit	60/80
Gross weight	0,09 kg
EAN Code	8012667356019



Hangable



4 Pcs