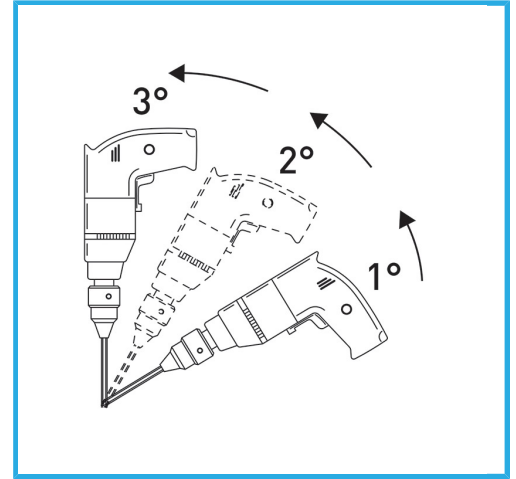
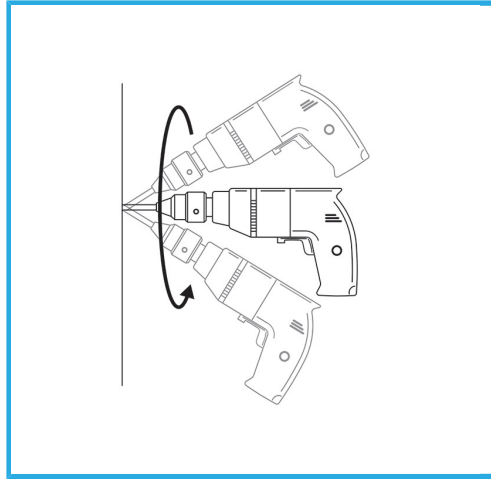


# ART. P034/06S

M14 DIAMOND DRILL BIT AND CORE DRILL WITH CONTINUOUS EDGE SET



THE THIN-WALL DIAMOND CORE GUARANTEES BURR-FREE CUTS. THIS FEATURE FACILITATES DRILLING WORK ON HARD LAID TILES, WHERE IT IS...



<b>Sizes</b>	Ø 22 mm - 35 mm - 40 mm - 45 mm - 50 mm - 67 mm
<b>Total length</b>	60 mm
<b>Diamond height</b>	15 mm
<b>Grit</b>	30/50
<b>Gross weight</b>	1,44 kg
<b>EAN Code</b>	8012667355623



Carrying case



M14



6 Pcs