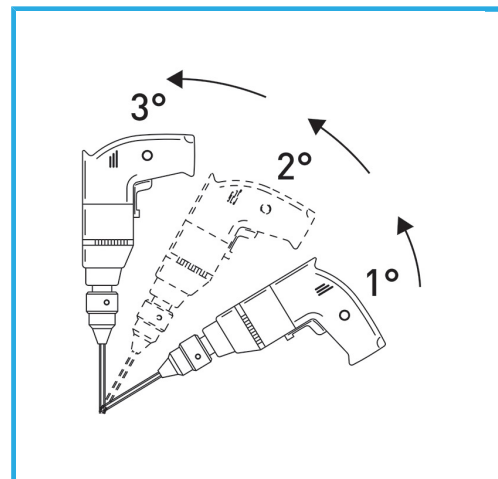
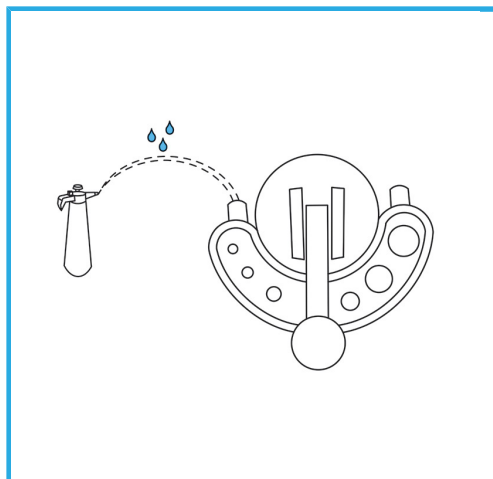


THE THIN-WALL DIAMOND CORE GUARANTEES BURR-FREE CUTS. THIS FEATURE FACILITATES DRILLING WORK ON HARD LAID TILES, WHERE IT IS...



| | |
|----------------|---------------|
| Size | Ø 10 mm |
| Shank | Ø 6 mm |
| Total length | 65 mm |
| Diamond height | 5 mm |
| Grit | 60/80 |
| Gross weight | 0,02 kg |
| EAN Code | 8012667355982 |



Hangable