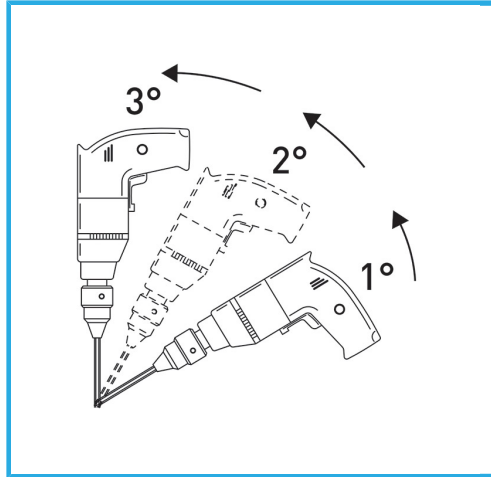


# ART. P034/020

M14 DIAMOND DRILL BITS AND CORE DRILLS WITH CONTINUOUS EDGE



THE THIN-WALL DIAMOND CORE GUARANTEES BURR-FREE CUTS. THIS FEATURE FACILITATES DRILLING WORK ON HARD LAID TILES, WHERE IT IS...



Size	Ø 20 mm
Total length	60 mm
Diamond height	15 mm
Grit	30/50
Gross weight	0,08 kg
Packaging dimensions	31 x 114 x 31 h mm
EAN Code	8012667355432



Hangable



M14