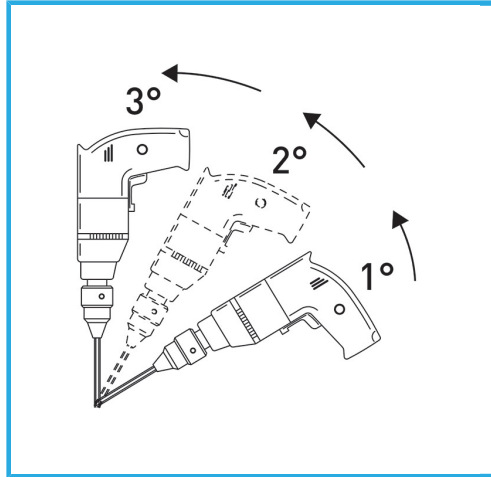


# ART. P034/070

M14 DIAMOND DRILL BITS AND CORE DRILLS WITH CONTINUOUS EDGE



THE THIN-WALL DIAMOND CORE GUARANTEES BURR-FREE CUTS. THIS FEATURE FACILITATES DRILLING WORK ON HARD LAID TILES, WHERE IT IS...



|                |               |
|----------------|---------------|
| Size           | Ø 70 mm       |
| Total length   | 60 mm         |
| Diamond height | 15 mm         |
| Grit           | 30/50         |
| Gross weight   | 0,34 kg       |
| EAN Code       | 8012667355579 |



Hangable



M14