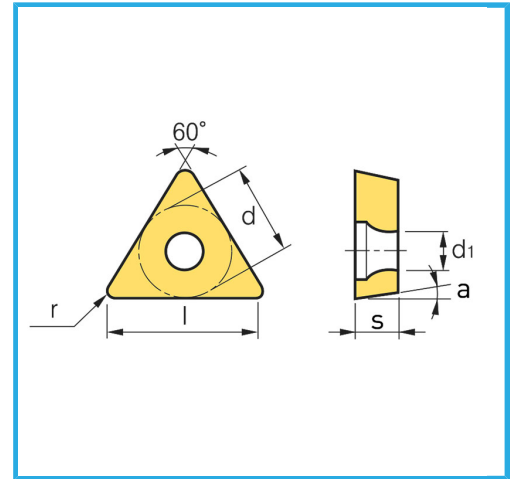
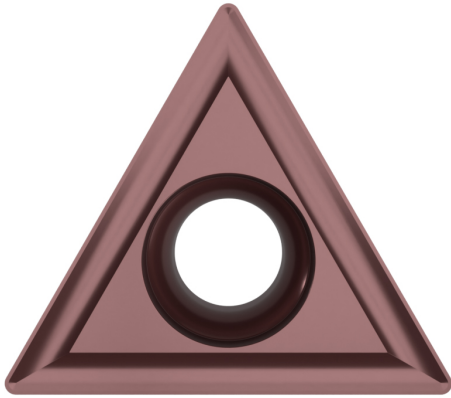


POSITIVE.



Dimensions	11 mm
d	6.35 mm
l	11.00 mm
s	2.38 mm
r	0.40 mm
d1	2.80 mm
a°	7°
Pack	10
Gross weight	0,01 kg
EAN Code	8012667359744



Box



-