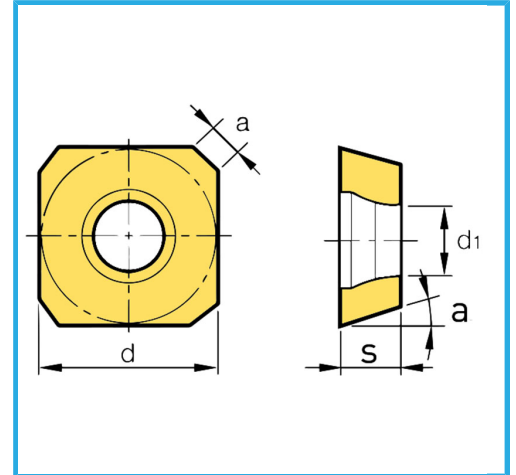
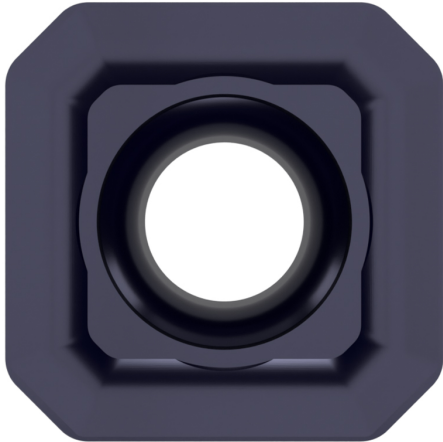


45°.



**Dimensions**

|              |               |
|--------------|---------------|
| d            | 12 mm         |
| d            | 12.70 mm      |
| a            | 1.80 mm       |
| S            | 4.76 mm       |
| d1           | 5.50 mm       |
| a°           | 20°           |
| Pack         | 10            |
| Gross weight | 0,01 kg       |
| EAN Code     | 8012667359805 |



Box

