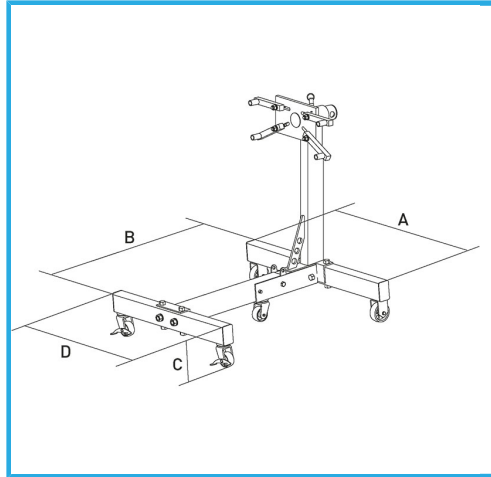


2 SWIVEL WHEELS WITH BRAKE AND 2 FIXED CAST IRON WHEELS, POSSIBILITY TO TILT THE ENGINE. THE ABILITY TO FOLD IT WHEN NOT IN USE...



|                     |                    |
|---------------------|--------------------|
| <b>Capacity</b>     | 680 kg             |
| <b>Dimensions</b>   | 860 x 830 x 900 mm |
| <b>Net weight</b>   | 31 kg              |
| <b>A</b>            | 820 mm             |
| <b>B</b>            | 810 mm             |
| <b>C</b>            | 180 mm             |
| <b>D</b>            | 680 mm             |
| <b>Gross weight</b> | 32,00 kg           |
| <b>EAN Code</b>     | 8012667386283      |