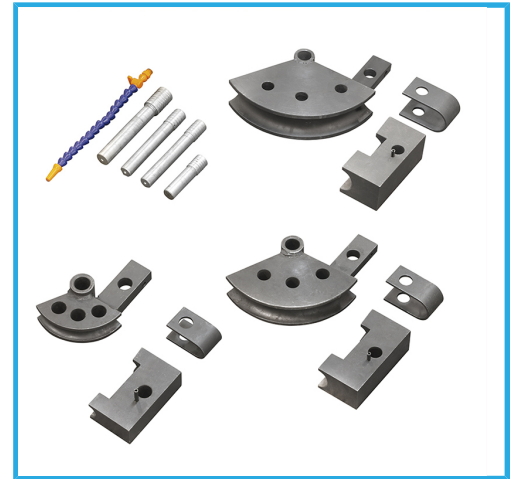
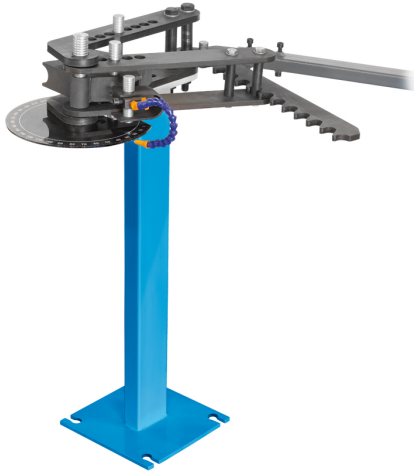


FOR COLD BENDING, FOR LARGE PIPES, WITH A SYSTEM THAT AVOIDS THE COLLAPSE OF THE PIPE, FOR THE CREATION OF SIMPLE OR COMPLEX...



Dies	25.4 - 38.1 - 44.5 mm
Min. bending radius	75 - 125 - 150 mm
Max thickness	3 mm
Round pipe	Ø20 - 50 mm
Max bending angle	120°
Handle length	1000 mm
Net weight	65 kg
Gross weight	73,00 kg
EAN Code	8012667388515