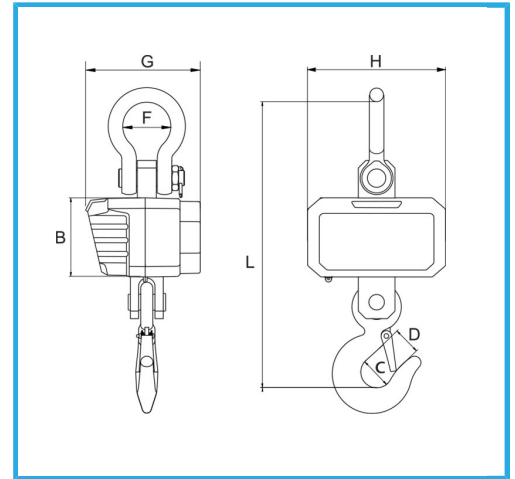


WITH CAST ALUMINUM STRUCTURE, EQUIPPED WITH BATTERY,  
CHARGER, INFRARED REMOTE CONTROL AND SOUND SIGNAL DOUBLE  
UNIT OF...



<b>Digits sizes</b>	40 x 20 mm
<b>Capacity</b>	1000 kg
<b>Reading</b>	0.500 kg
<b>Minimum weighing</b>	0.500 kg
<b>Max weight</b>	150%
<b>Battery</b>	1 x 6 V 4 Ah
<b>Net weight</b>	7,1 kg
<b>EAN Code</b>	8012667386108
<b>Gross weight</b>	5,00 kg



Box

### Included

Battery charger  
6V 4Ah battery  
Infrared remote control  
Upper shackle  
Hook with anti-slip  
device