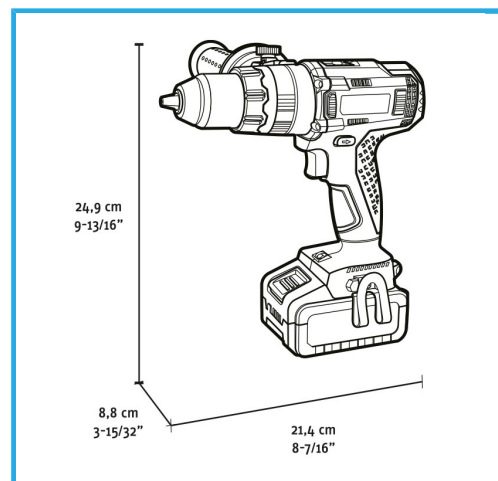



BRUSHLESS MOTOR, AUTOMATIC SPINDLE LOCK, METAL KEYLESS SELF-TIGHTENING CHUCK, 1 CLUTCH SETTINGS, STEP SPEED SELECTION, ELECTRONIC..



<b>No-load speed</b>	0-550 min-1 / 0-2000 min-1
<b>Impact rate</b>	0-7500 min-1 / 0-30000 min-1
<b>Chuck tightening range</b>	1,5 - 13 mm
<b>Torque</b>	70 / 75 Nm
<b>Drilling output concrete</b>	Max 16 mm
<b>Drilling output steel</b>	Max 13 mm
<b>Drilling output wood</b>	Max 40 mm
<b>Max screw diameter</b>	10 mm
<b>EAN Code</b>	8012667404307
<b>Gross weight</b>	3,25 kg

-  Carrying case
-  Brushless Motor
-  Keyless
-  Speed Selector
-  Electronic Speed
-  Variable Torque
-  3 Functions
- Non incluso
- Non incluso