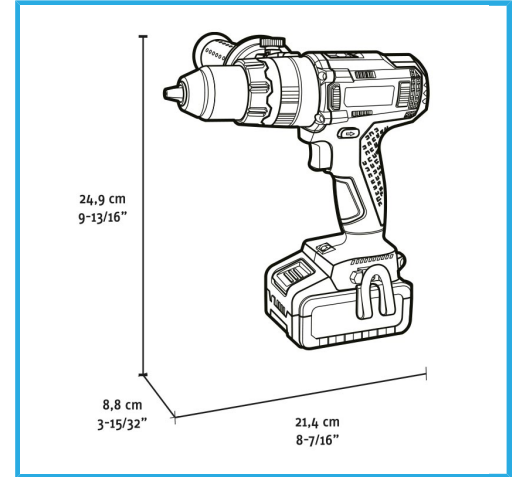


ART. FB20ID3AB-12B

IMPACT DRILL / SCREWDRIVER 20 V



BRUSHLESS MOTOR, AUTOMATIC SPINDLE LOCK, METAL KEYLESS SELF-TIGHTENING CHUCK, 1 CLUTCH SETTINGS, STEP SPEED SELECTION, ELECTRONIC..



No-load speed	0-550 min-1 / 0-2000 min-1
Impact rate	0-7500 min-1 / 0-30000 min-1
Chuck tightening range	1,5 - 13 mm
Torque	70 / 75 Nm
Drilling output concrete	Max 16 mm
Drilling output steel	Max 13 mm
Drilling output wood	Max 40 mm
Max screw diameter	10 mm
EAN Code	8012667407377
Gross weight	3,99 kg

- Carrying case
- Brushless Motor
- Keyless
- Speed Selector
- Electronic Speed
- Variable Torque
- 3 Functions
- 1 x 2Ah, 20V
- 2A, 20V