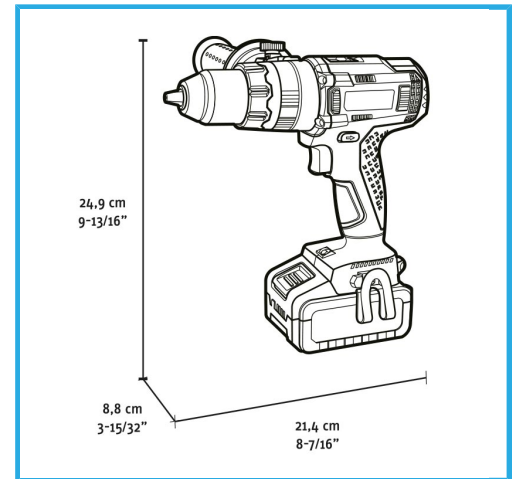


BRUSHLESS MOTOR, AUTOMATIC SPINDLE LOCK, METAL KEYLESS SELF-TIGHTENING CHUCK, 1 CLUTCH SETTINGS, STEP SPEED SELECTION, ELECTRONIC..



<b>No-load speed</b>	0-550 min-1 / 0-2000 min-1
<b>Impact rate</b>	0-7500 min-1 / 0-30000 min-1
<b>Chuck tightening range</b>	1,5 - 13 mm
<b>Torque</b>	70 / 75 Nm
<b>Drilling output concrete</b>	Max 16 mm
<b>Drilling output steel</b>	Max 13 mm
<b>Drilling output wood</b>	Max 40 mm
<b>Max screw diameter</b>	10 mm
<b>EAN Code</b>	8012667404321
<b>Gross weight</b>	5,09 kg

	Carrying case		Brushless Motor
	Keyless		Speed Selector
	Electronic Speed		Variable Torque
	3 Functions	- 2 x 4Ah, 20V	
- 4A, 20V			