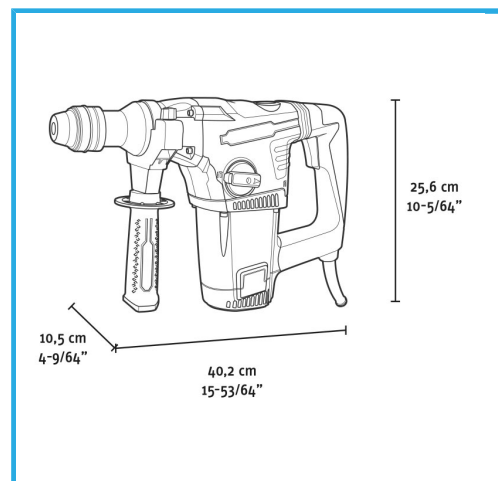


SDS-PLUS CHUCKELECTRONIC SPEED ADJUSTMENT3 MODES:
DRILLING / IMPACT DRILLING / CHISELLINGANTI-VIBRATIONS
SYSTEMSAFETY CLUTCH TO...



Power	1050 W
Amperage at 220-230V	4,9 A
No-load speed	0-750 min-1
Impact rate	0-2800 min-1
Test force	4,8 J
Chuck sizes	SDS-Plus
Drilling output concrete	Max 32 mm
Drilling output steel	Max 13 mm
Drilling output wood	Max 40 mm
EAN Code	8012667404383
Packaging dimensions	450 x 350 x 130 h mm
Gross weight	7,88 kg



Carrying case



Electronic Speed



3 Functions



Vibration Control



Safety Clutch



Soft Grip