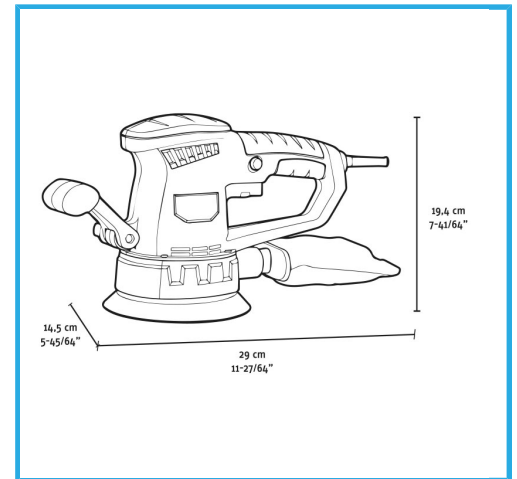


VELCRO FIXING SYSTEM  
VARIABLE SPEED  
LOCK-ON FUNCTION FOR  
INCREASED COMFORT DURING EXTENDED WORK MODE  
DUST EXTRACTION SYSTEM WITH...



|                                 |                          |
|---------------------------------|--------------------------|
| <b>Power</b>                    | 450 W                    |
| <b>Amperage at 220-230V</b>     | 1,9 A                    |
| <b>No-load speed</b>            | 4000 min-1 / 13000 min-1 |
| <b>No-load oscillation rate</b> | 8000-26000 min-1         |
| <b>Eccentricity</b>             | 2 mm                     |
| <b>Sanding plate Ø</b>          | 150 mm                   |
| <b>Holes</b>                    | 8                        |
| <b>EAN Code</b>                 | 8012667404543            |
| <b>Gross weight</b>             | 2,73 kg                  |



Box



Soft Grip



Velcro System

- Variable Speed



D-Handle



Lock-On



Dust Extraction