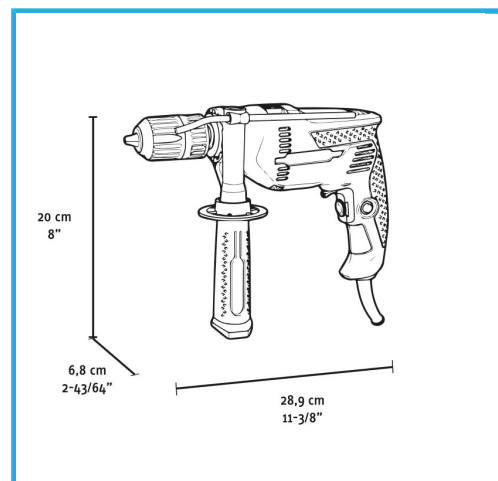


2-STEPS-LOCK KEYLESS SELF-TIGHTENING CHUCK VARIABLE  
SPEED ELECTRONIC SPEED ADJUSTMENT 2 MODES: DRILLING /  
IMPACT DRILLING REVERSE...



<b>Power</b>	600 W
<b>Amperage at 220-230V</b>	2,8 A
<b>No-load speed</b>	0-2800 min-1
<b>Impact rate</b>	0-44800 min-1
<b>Chuck tightening range</b>	2 - 13 mm
<b>Drilling output concrete</b>	Max 13 mm
<b>Drilling output steel</b>	Max 13 mm
<b>Drilling output wood</b>	Max 20 mm
<b>EAN Code</b>	8012667404338
<b>Packaging dimensions</b>	320 x 250 x 85 h mm
<b>Gross weight</b>	2,30 kg



Box



2 Functions

- Variable  
Speed



Keyless



Electronic  
Speed



Reverse



Lock-On