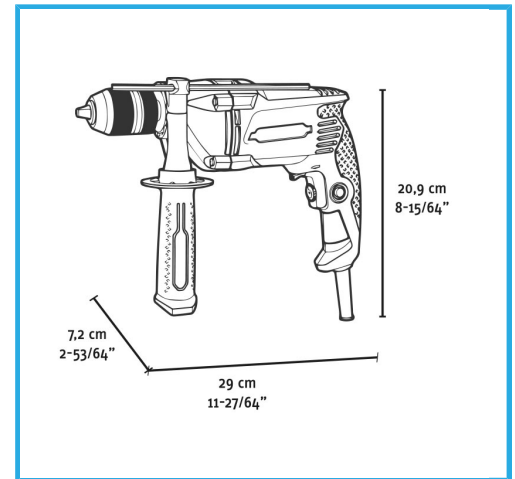


METAL KEYLESS SELF-TIGHTENING CHUCK VARIABLE  
SPEED ELECTRONIC SPEED ADJUSTMENT 2 MODES: DRILLING /  
IMPACT DRILLING REVERSE...



|                                 |                     |
|---------------------------------|---------------------|
| <b>Power</b>                    | 810 W               |
| <b>Amperage at 220-230V</b>     | 3,9 A               |
| <b>No-load speed</b>            | 0-2800 min-1        |
| <b>Impact rate</b>              | 0-44800 min-1       |
| <b>Chuck tightening range</b>   | 2 - 13 mm           |
| <b>Drilling output concrete</b> | Max 16 mm           |
| <b>Drilling output steel</b>    | Max 13 mm           |
| <b>Drilling output wood</b>     | Max 30 mm           |
| <b>EAN Code</b>                 | 8012667404345       |
| <b>Packaging dimensions</b>     | 320 x 250 x 85 h mm |
| <b>Gross weight</b>             | 2,70 kg             |



Box



2 Functions

- Variable  
Speed



Keyless



Electronic  
Speed



Reverse



Lock-On