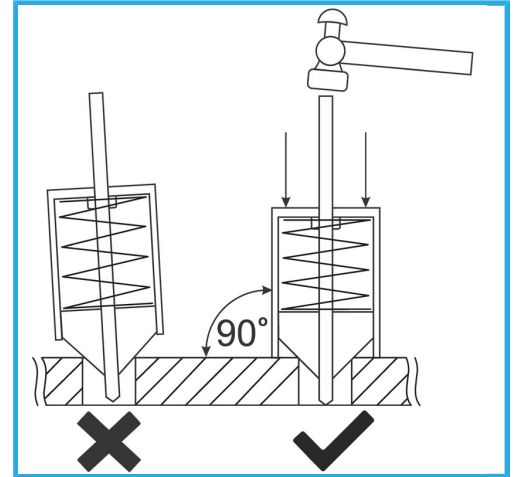


FOR CENTRING WITHIN EXISTING BORES, THE SPRING-LOADED,
CONICAL FRONT PROVIDES ACCURATE CENTRING.



| | |
|----------------------|---------------|
| Length | 100 mm |
| Hole diameter | Ø5 - Ø30 mm |
| Gross weight | 0,20 kg |
| EAN Code | 8012667408275 |



Box



Steel